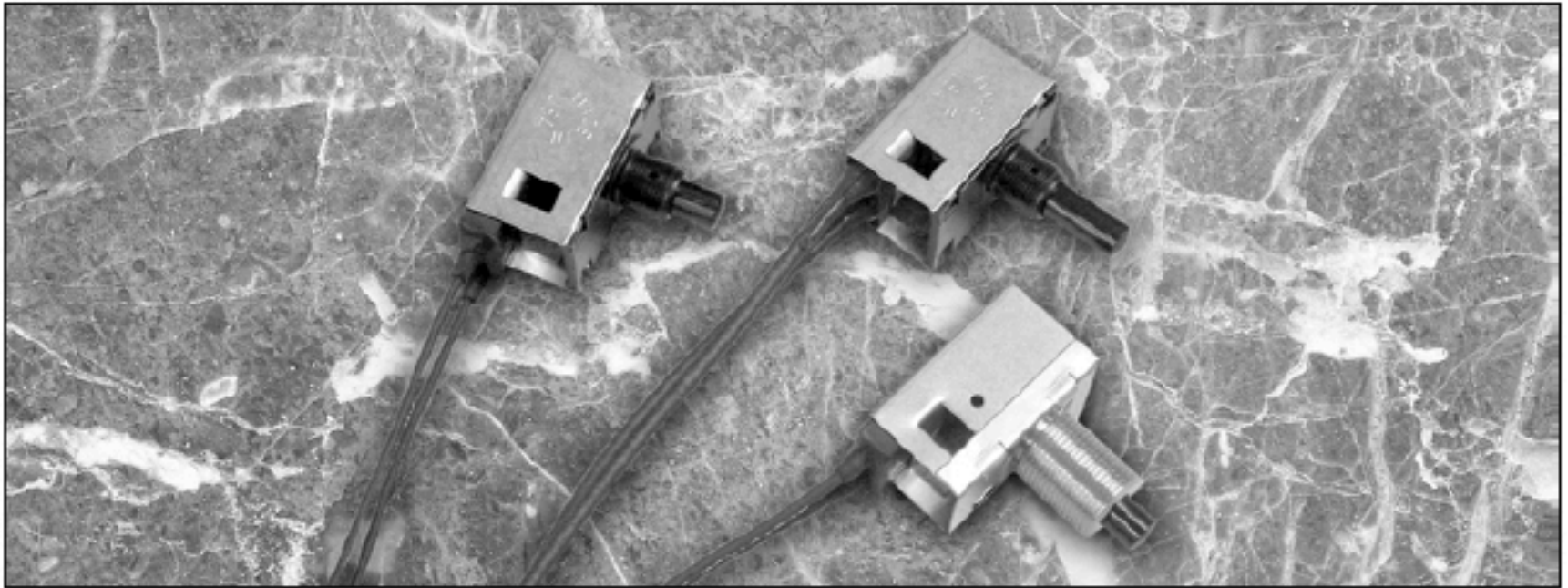
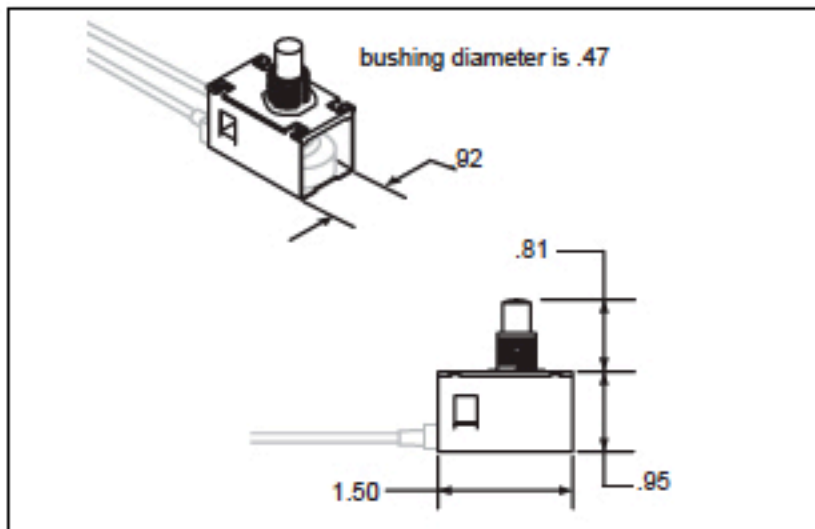


CPI® Panel Mounted Plunger Switches

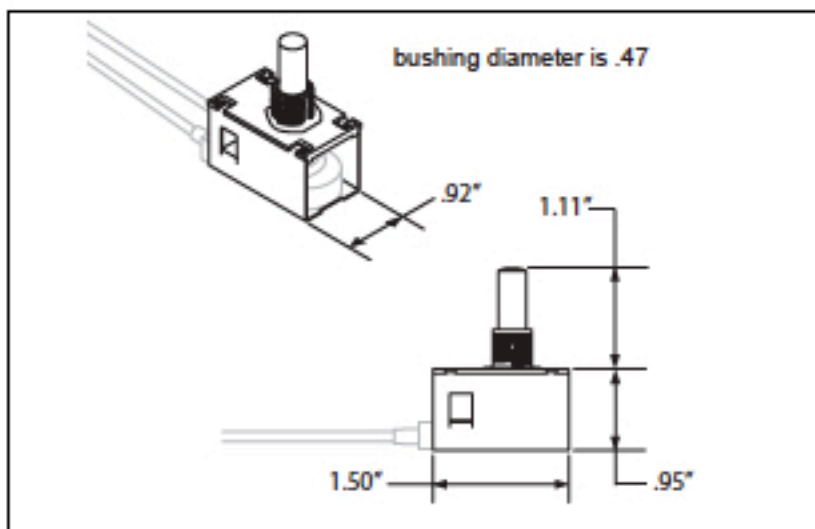


Control Products, Inc. offers pushbutton actuator brackets for panel mounting our industrial or military grade momentary switches for marine, medical, food processing, off-road, and other applications where these types of switches are desired. Except as noted, these actuator brackets can accommodate any basic CPI low-button industrial or military switch as described in the first part of this catalog. Brackets are either stainless steel or stainless steel / thermoplastic.

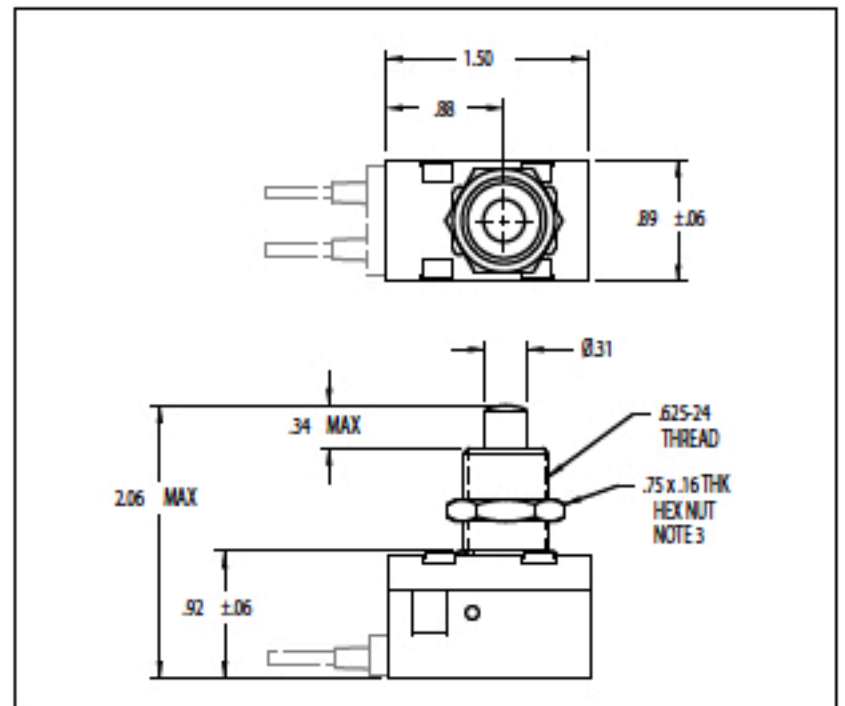
D1021



D1022



D1040



Mounting Hardware and Optional Protective Boot



Optional protective boots to ensure complete panel sealing are available in red, black or gray. Mounting nuts come standard with each switch.